



Pressure Transmitter with Digital Display



measuring
•
monitoring
•
analysing

PDA



PDA-15

PDA-25

PDA-35

- Measuring range:
-1... 0 to 0 ...400 bar
- Temperature:
max. 80°C
- Accuracy:
±0,5% of full scale (±1,0% of full scale)
- Housing material:
Stainless Steel
- Connection:
G ¼, G ½,
¼ NPT or ½ NPT



KOBOLD companies worldwide:

ARGENTINA, AUSTRIA, BELGIUM, BULGARIA, CANADA, CHILE, CHINA, COLUMBIA, CZECHIA, DOMINICAN REPUBLIC, EGYPT, FRANCE, GERMANY, GREAT BRITAIN, HUNGARY, INDIA, INDONESIA, ITALY, MALAYSIA, MEXICO, NETHERLANDS, PERU, POLAND, ROMANIA, SINGAPORE, SOUTH KOREA, SPAIN, SWITZERLAND, TAIWAN, THAILAND, TUNISIA, USA, VIETNAM

KOBOLD Messring GmbH
Nordring 22-24
D-65719 Hofheim/Ts.
Head Office:
+49(0)6192 299-0
+49(0)6192 23398
info.de@kobold.com
www.kobold.com



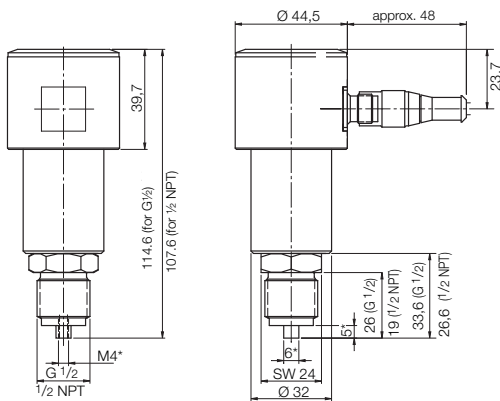
Pressure Transmitter with Digital Display Model PDA

Description

KOBOLD pressure transmitter series PDA are cost effective electronic pressure transmitters with digital indication of actual pressure. An analogue output (0)-20 mA is available for remote transmission of the measured value. The device is also available with a switch output as well.

A piezzo resistive ceramic sensor is used. The units can be used where high switching accuracy is needed. Long term stability, repeatability and the compact and robust design makes them ideal for use in OEM applications.

Dimensions



*No nipple on NPT thread
(dimensions G $\frac{1}{4}$ male on request)

Applications

- Compressors
- Machinery industry
- Installations
- Pumps

Technical Details

Housing:	stainless steel 1.4305
Anschlüsse:	G $\frac{1}{4}$ or G $\frac{1}{2}$ male stainless steel 1.4404 option $\frac{1}{4}$ or $\frac{1}{2}$ NPT others on request
Gasket:	FPM (Option: EPDM)
Sensor element:	piezzo resistive ceramic cell
Indication:	3-digit LED, height 7 mm
Resolution:	max. 0,01 bar (depending on measuring range and measured value)
Max. temperature:	media: -20...+80°C ambient: -20...+80°C
Max. over pressure:	up to 60 bar: 3 times from 100 bar: 2 times of the range 400 bar: 1.5 times of the range
Supply voltage:	24 V _{DC} \pm 20 %
Power consumption:	approx. 120 mA (without switching output))
Electr. connection:	plug M12x1
Settings (standard):	programmable via 2 buttons <ul style="list-style-type: none"> ● switching point ● Hysteresis ● 4 - 20 mA or 0 - 20 mA ● start point / end point (current) ● filter ● zero point ● security code
Overrange/underrange indication.:	on LED-display
Load:	max. 500 Ω
Switching output:	PNP or NPN semiconductor (factory set), max. 300 mA, short-circuit proof N/O or N/C, programmable
Contact:	1 LED
Output indicator:	1 LED
ON/OFF-switch. delay:	0,5 ... 99,5 s (separately adjustable)
Response time:	0,5 s
Accuracy:	\pm 0,5 % of f. s. (\pm 1,0 % of f. s. for measuring range: \leq 1,6 bar)
Protection:	IP 65

Order details (Example: PDA-15 3 R2 C315)

Model	Description	Output	Electrical connection	Mechanical connection	Measuring range* [bar]
PDA-	Pressure transmitter with digital display	15 = Standard 0(4) - 20 mA 25 = 0(4) - 20 mA, PNP-Switching output 35 = 0(4) - 20 mA, NPN-Switching output	3 = plug M12x1	R2 = G $\frac{1}{4}$ R4 = G $\frac{1}{2}$ N2 = $\frac{1}{4}$ NPT N4 = $\frac{1}{2}$ NPT	C315 = -1 - 0 B025 = 0 - 1 B035 = 0 - 1,6 B045 = 0 - 2,5 B055 = 0 - 4 B065 = 0 - 6 B075 = 0 - 10 B085 = 0 - 16 A095 = 0 - 25 A105 = 0 - 40 A115 = 0 - 60 A125 = 0 - 100 A135 = 0 - 160 A145 = 0 - 250 A155 = 0 - 400

Additional: Electrical connection

Description	Model
M12x1 socket with 2 m cable	ZUB-KAB-12K002
M12x1 socket with Quickon-plug	ZUB-KAB-12Q000

*PSI on request