

Ordering information



Ordering Information

Controllers

Unipoint Controller (mV input version) 2306B2000

Unipoint Controller (mA input version) 2306B1000

Spares

Unipoint Terminal Block Plug (x2) 2306B3010

Unipoint DIN rail socket kit 2306B3020

Unipoint power connector kit 2306B3030

Required controller type reference:

| Detector | Gas Type | No. Wires | Controller Required |
|-----------------|-----------|-----------|---------------------|
| Signalpoint | Flammable | 3 | mV |
| | Toxic | 2 | mA |
| Sensepoint | Flammable | 3 | mV |
| | Toxic | 2 | mA |
| Sensepoint Plus | Flammable | 3 | mA |
| | Toxic | 3 | mA |
| Sensepoint Pro | Flammable | 3 | mA |
| | Toxic | 3 | mA |

Standard Supply

Each Unipoint controller is supplied complete with DIN rail socket, power connector, gas type stickers and instruction manual.

Shipping Details

Shipping carton dimensions: H197mm (7.8") x W275mm (10.8") x D36mm (1.4")
Approximate weight: 420g (14.8oz)



Honeywell Analytics Lines of Business



Commercial

Vulcain-brand gas detection from stand-alone units to fully engineered, multi-point systems, all offering cost-effective regulatory compliance

- » Applications: parking structures, chillers, mechanical rooms, office towers, commercial buildings, shopping centers, swimming pools, golf courses, schools and universities, laboratories

Industrial

Renowned Sieger and Manning gas detection systems with advanced electrochemical, infrared and open path sensing technologies

- » Applications: oil and gas, cold storage, water/wastewater treatment, chemicals, engine rooms, plastics and fibers, agriculture, printing and light industrial

Portables

Single or multi-gas Lumidor and other premium detectors with compact, lightweight designs ranging from simple alarm only units to advanced, fully configurable and serviceable instruments

- » Applications: underground utility and electricity ducts, boiler rooms, post-fire sites, sewers, industrial plants, industrial hygiene, first responder teams, remote fleets



Find out more

www.honeywellanalytics.com

Contact Honeywell Analytics:

Americas

Honeywell Analytics Inc.
405 Barclay Blvd.
Lincolnshire, IL 60069
USA
Tel: +1 847 955 8200
Toll free: +1 800 538 0363
Fax: +1 847 955 8210
detectgas@honeywell.com

Technical Services

ha.us.service@honeywell.com

www.honeywell.com

High Tech/Government

A complete portfolio of gas and chemical detection instrumentation including infrared spectroscopy (MST) with no cross interference, to Chemcassette paper-based solutions (MDA Scientific) offering detection down to parts per billion

- » Applications: semiconductor manufacturing and nanotechnology, aerospace propulsion and safety, specialty chemicals industry, research laboratories, emergency response

Europe, Middle East, Africa

Life Safety Distribution AG
Wilstrasse 11-U31
CH-8610 Uster
Switzerland
Tel: +41 (0)44 943 4300
Fax: +41 (0)44 943 4398
gasdetection@honeywell.com

Technical Services

24/7 global network includes post-sales service and Systems Integration teams

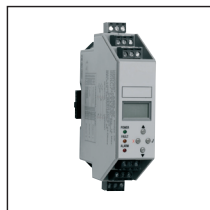
- » Emergency call out, service contracts, on/off-site repair, training and commissioning
- » Complete range of spares, consumables and accessories

Asia Pacific

Honeywell Analytics Asia Pacific
#508, Kolon Science Valley (I)
187-10 Guro-Dong, Guro-Gu
Seoul, 152-050
Korea
Tel: +82 (0)2 2025 0307
Fax: +82 (0)2 2025 0329
analytics.ap@honeywell.com

Please Note:

While every effort has been made to ensure accuracy in this publication, no responsibility can be accepted for errors or omissions. Data may change, as well as legislation, and you are strongly advised to obtain copies of the most recently issued regulations, standards, and guidelines. This publication is not intended to form the basis of a contract.



**The Zareba Unipoint,
a simple DIN rail
mounted controller**

Unipoint DIN controller



Typical Applications

- Small and medium integrated systems
- Custom control cabinets and panels
- Unmanned equipment rooms
- Boiler Houses
- HVAC systems
- Analyzer houses
- Car Parks
- Crane cabs
- Laboratories

User Friendly

- Ultra-clear backlit display
- System status codes
- Built-in audiovisual alarms
- Intuitive menu system
- Simple pushbutton operation
- Remote accept, reset and inhibit inputs

Easy to Install

- TS35 ('top hat') DIN rail mounting
- Removable terminal connectors.
- Easy access to all terminals
- Additional units clip together

Comprehensive Operation

- 3 wire mV bridge, 2 and 3 wire 4-20mA inputs
- DC operation
- 3 x alarm relays
- 1 x system fault relay
- Field inhibit input (mA versions)

Flexible Operation

- Fully user programmable scale, units and calibration
- Relays configurable as energized, de-energized, latching or non-latching, alarm relay on/off delay
- Compatible with a wide range of gas detectors

The Zareba Unipoint is a simple DIN rail mounted controller offering integrators a flexible and low cost solution to incorporate flammable, toxic or oxygen gas detection into their control systems.

Unipoint can be easily installed into any plastic or metal enclosure for use indoor or outdoors and even in potentially explosive atmospheres. With the addition of one of the Zareba range of flammable, toxic or oxygen detectors, systems may be configured to monitor gases in a wide range of applications from car parks and boiler houses to analyzer shelters or crane cabs in offshore facilities.

Two versions of Unipoint are available; one for mV bridge, catalytic bead type, flammable gas detector and the other for any 2 or 3 wire 4-20mA type gas detector. Each Unipoint is easily installed onto the DIN rail via a special socket (provided) that also interconnects power to adjacent units. With removable terminal connectors individual Unipoint controllers can be easily changed without disturbing other devices.

By clipping together multiple Unipoints small to medium sized monitoring solutions can be realized. Each unit includes built-in audiovisual alarms, three programmable alarm relays and a fault relay. Gas concentration and system status is displayed on the backlit LCD and each controller is fully user programmable via an intuitive, push button operated menu system. Configuration menus can be password protected to prevent unauthorized access. In addition remote inputs allow accept, reset and inhibit of alarms without the need to open the enclosure that the Unipoint is mounted in.

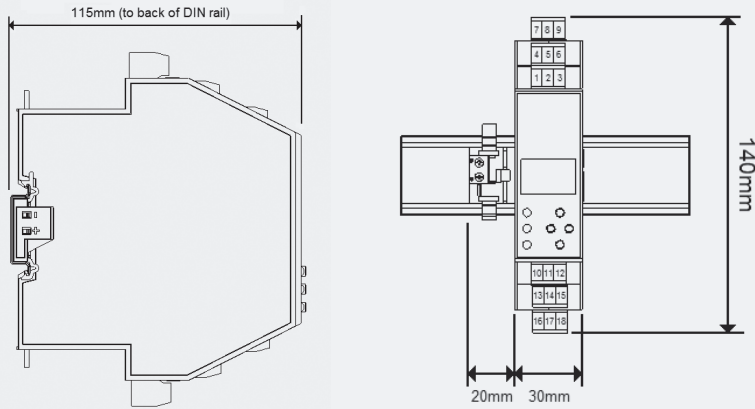
Unipoint's uncomplicated design makes it ideal for applications where a simple method of integrating gas detectors into a 3rd party control system is required or as part of a small standalone gas detection solution. All Honeywell Analytics gas detectors and third party detectors may be used with Unipoint subject to overall power requirements.



Installation details



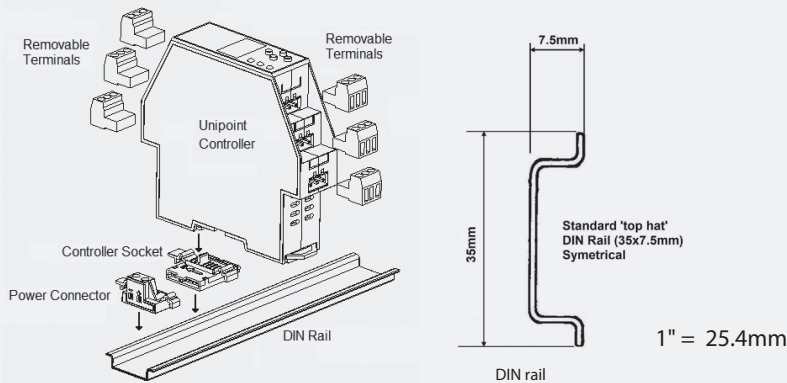
Dimensions



Terminal detail

| | | |
|----|----|----------|
| 1 | + | Detector |
| 2 | S | |
| 3 | - | |
| 4 | NO | Fault |
| 5 | C | |
| 6 | NC | |
| 7 | R | Reset |
| 8 | I | Inhibit |
| 9 | C | Common |
| 10 | NO | Alarm 1 |
| 11 | C | |
| 12 | NC | Alarm 2 |
| 13 | NO | |
| 14 | C | Alarm 3 |
| 15 | NC | |
| 16 | NO | |
| 17 | C | |
| 18 | NC | |

Installation



Max number of controllers on one power rail

| Detector type | Max number of controllers |
|---------------|---------------------------|
| 3 wire mV | 8 |
| 2 wire mA | 8 |
| 3 wire mA | 4 |

wiring of power rail in parallel allows larger systems to be constructed

Electrical

| Type of Detector | Output to Detector | Recommended Detector |
|----------------------|--|--|
| 2 wire 4-20mA | Controller Input (18-32Vdc)-1.5Vdc*, 30mA (max). Sense resistor 33 Ohms. | Signalpoint or Sensepoint Toxic and Oxygen |
| 3 wire 4-20mA source | Controller Input (18-32Vdc)-1.5Vdc*, 0.5A (max). Sense resistor 33 Ohms. | Sensepoint Plus and Sensepoint Pro |
| 3 wire mV bridge | 2.4-8.6V, 200mA constant current. Max cable loop resistance 28 Ohms. | Signalpoint or Sensepoint Flammable |

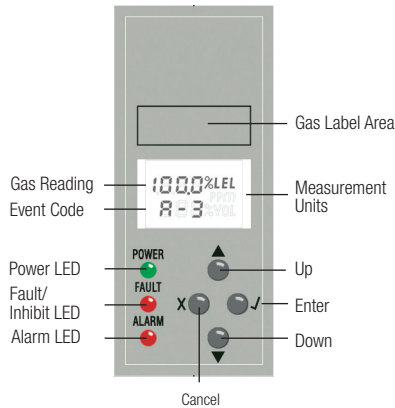
*The detector supply voltage is 1.5Vdc less than the supply to the controller

Controller Power Consumption

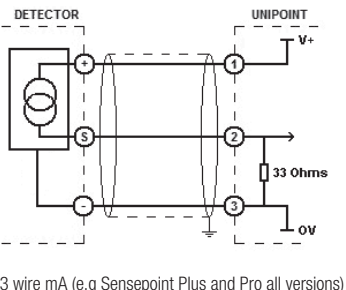
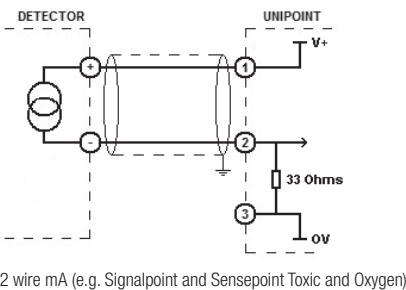
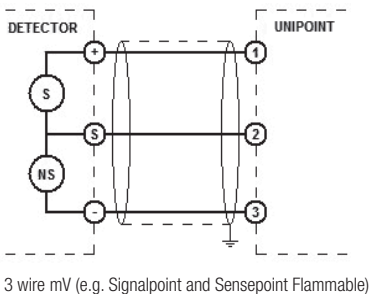
| Unipoint Version | Controller Status | Relays | | Power |
|------------------|---|-----------|--------------|-------------------|
| | | Fault | Alarm | |
| mV | Normal operation, no faults, no alarms. Zero cable resistance | Energized | De energized | 2.4W ¹ |
| | Normal operation, no faults, no alarms. Max loop cable resistance (28 ohms) | Energized | De energized | 3.6W ¹ |
| | All alarms, no faults. Max cable resistance (28 ohms) | Energized | Energized | 4.8W ¹ |
| mA | Normal operation, no faults, no alarms. Inclusive of 2 wire signal loop current | Energized | De energized | 1.8W ² |
| | All alarms, no faults. Inclusive of 2 wire signal loop current | Energized | Energized | 3.0W ² |

¹ includes power to detector ² excludes power to 3 wire mA detector. All controllers with default configuration.

Technical summary



Detector Wiring Schematics



| General Specification | | | | |
|----------------------------------|--|--|--|---|
| Use | The Zareba Unipoint controller provides integrators with a flexible and low cost solution to the many applications requiring flammable, toxic or oxygen gas detection to be incorporated into their control systems. Unipoint is designed to use industry standard DIN rail allowing it to be easily installed into many different types of plastic or metal, indoor or outdoor, hazardous or non hazardous area enclosures. It is designed for use with any mV flammable gas detector as well as any 2 or 3 wire 4-20mA gas detector (subject to overall power requirements). | | | |
| User interface | | | | |
| Operation | Two pushbuttons for normal operation of resetting alarms and initiating self diagnostic test of system. Four buttons for user programmable functions via intuitive menu | | | |
| Backlit Display | Units of measure, digital gas reading and event code | | | |
| Other Indication | Ultra-bright steady/flashing LEDs subject to condition; alarm (red), power (green), fault (amber). In-built audible alarm 63dB at 0.3 meters | | | |
| Termination | Easily accessible plug in screw type terminals. Terminals accept maximum wire diameter 1.5mm ² (16 AWG) | | | |
| Environmental | | | | |
| IP Rating | Indoor, IP3x, to BS EN 60529:1992 (controller to be installed in suitable enclosure) | | | |
| Weight | 225g (7.94 oz) - Controller only | | | |
| Operating Temp Range | -10°C to +40°C / 14°F to 104°F | | | |
| Operating Humidity Range | 10 to 90%RH (non condensing) | | | |
| Operating Pressure Range | 90-110kPa | | | |
| Storage | -25°C to +60°C / -13°F to +140°F, 20 to 80%RH (non condensing) | | | |
| Inputs | | | | |
| Supply | Nominal 24Vdc (18-32Vdc). Max power mV = 4.8W (including power to detector), mA= 3.0W (excluding power to 3 wire detector) | | | |
| Detector Type | 3 wire mV bridge e.g. Sensepoint or Signalpoint flammable gas detectors | 2 wire, 4-20mA, loop powered e.g. Sensepoint or Signalpoint toxic or oxygen gas detectors | 3 wire, 4-20mA, source output e.g. Sensepoint Plus and Pro flammable, toxic and oxygen gas detectors | |
| Detector Supply | 2.4-8.6V, 200mA constant current. Maximum loop resistance: 28 Ohms | Input (18-32Vdc)-1.5Vdc, 30mA max | Input (18-32Vdc)-1.5Vdc, 0.5A max | |
| Outputs | | | | |
| Relays | Alarm 1 | Alarm 2 | Alarm 3 | Fault |
| Rating | SPCO/3A, 240Vac/28Vdc (non inductive load) | SPCO/3A, 240Vac/28Vdc (non inductive load) | SPCO/3A, 240Vac/28Vdc (non inductive load) | SPCO/3A, 240Vac/28Vdc (non inductive load) |
| Default Setting | Non Latching Normally de-energized Energize on alarm Factory setting 10%FSD | Non Latching Normally de-energized Energize on alarm Factory setting 25%FSD | Latching Normally de-energized Energize on alarm Factory setting 50%FSD | Non Latching Normally energized De-energize on fault/power loss |
| User Configurable Options | Latching/ non-latching Energized/ de-energized Alarm trip point Rising/falling Alarm on / off delay (0 to 900 seconds)* | Latching/ non-latching Energized/ de-energized Alarm trip point Rising/falling Alarm on / off delay (0 to 900 seconds)* | Latching/ non-latching Energized/ de-energized Alarm trip point Rising/falling Alarm on / off delay (0 to 900 seconds)* | Latching/ non-latching Energized/ de-energized |
| Approvals | | | | |
| EMC/RFI | EN50270 | | | |
| Electrical Safety | EN61010, UL61010b | | | |
| Performance | ATEX measuring function EN61779 (Independent accreditation expected late 2005) | | | |
| Other | CE, TÜV | | | |

* Functionality only implemented in units supplied with software version 5V0. Available late 2005.