

1) Introduction

The GNExB2LD2 are flameproof beacons which are certified to meet the requirements of the ATEX directive 94/9/EC and the IECEx scheme. The beacon produces synchronised visual warning signals and can be used in hazardous areas where potentially flammable gas and dust atmospheres may be present. The GNExB2LD2 can be used in Zone 1 and Zone 2 areas with gases in groups IIA, IIB and IIC and Temperature Classifications of T1, T2, T3, T4, T5 & T6. The unit can be used in Zone 21 and Zone 22 with dusts in groups IIIA, IIIB and IIIC and have a surface temperature rating of T85°C.

2) Marking

All units have a rating label, which carries the following important information:-

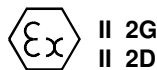
Input Voltage: DC Units 24V
AC Units 230V or 115V

GNExB2LD2 Codes:

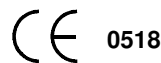
Ex db IIC Gb T6 Ta -50°C to +65°C
Ex db IIC Gb T5 Ta -50°C to +70°C
Ex tb IIIC Db T85°C Ta -50°C to +70°C

Certificate No. DEMKO 15ATEX1448X
IECEx UL15.0003X

Epsilon x
Equipment Group and
Category:



CE Marking
Notified Body No.



“Warnings”

POTENTIAL ELECTROSTATIC CHARGING HAZARD
DO NOT OPEN WHEN AN EXPLOSIVE
ATMOSPHERE IS PRESENT
ALL ENTRIES M20 X 1.5
IF TEMPERATURE EXCEEDS 70°C AT ENTRY OR 80°C AT
BRANCHING POINT USE SUITABLE RATED CABLE AND CABLE
GLANDS

3) Type Approval Standards

The beacons have an EC Type examination certificate and IECEx certificate of conformity issued by UL and have been approved to the following standards:

EN60079-0:2012 / IEC60079-0:2011 (Ed 6): Explosive Atmospheres - Equipment. General requirements
EN60079-1:2014 / IEC60079-1:2014 (Ed 7): Explosive Atmospheres - Equipment protection by flameproof enclosures "d"
BS EN 60079-31:2014 / IEC 60079-31:2013 (Ed 2): Explosive Atmospheres - Equipment dust ignition protection by enclosure "t"

4) Installation Requirements

The beacons must only be installed by suitably qualified personnel in accordance with the latest issues of the relevant standards:

EN60079-14 / IEC60079-14: Explosive atmospheres - Electrical installations design, selection and erection
EN60079-10-1 / IEC60079-10-1: Explosive atmospheres - Classification of areas. Explosive gas atmospheres
EN60079-10-2 / IEC60079-10-2: Explosive atmospheres - Classification of areas. Explosive dust atmospheres

The installation of the units must also be in accordance with any local codes that may apply and should only be carried out by a competent electrical engineer who has the necessary training.

5) Zones, Gas Group, Category, IP Rating and Temperature Classification

The units can be installed in locations with the following conditions:

Area Classification Gas:

Zone 1	Explosive gas air mixture likely to occur in normal operation.
Zone 2	Explosive gas air mixture not likely to occur, and if it does, it will only exist for a short time.

Gas Groupings:

Group IIA	Propane
Group IIB	Ethylene
Group IIC	Hydrogen and Acetylene

Temperature Classification:

T1	450°C
T2	300°C
T3	200°C
T4	135°C
T5	100°C
T6	85°C (up to 65°C ambient)

Area Classification Dust:

Zone 21	Explosive dust air mixture likely to occur in normal operation.
Zone 22	Explosive dust air mixture not likely to occur, and if it does, it will only exist for a short time.

Dust Groupings:

Group IIIA	Combustible Flyings
Group IIIB	Non-conductive Dust
Group IIIC	Conductive Dust

IP Rating: IP6X to EN/IEC60079-0 and IP66 to EN/IEC60529
Equipment Category: 2G/D

Ambient Temperature Range: -50°C to +70°C

Maximum Surface Temperature for Dust Applications:
85°C

6) Beacon Location and Mounting

The location of the beacons should be made with due regard to the area over which the warning signal must be visible. They should only be fixed to services that can carry the weight of the unit.

The beacons should be securely bolted to a suitable surface using the 9.4mm diameter bolt holes in the base of the unit (see figure 1).

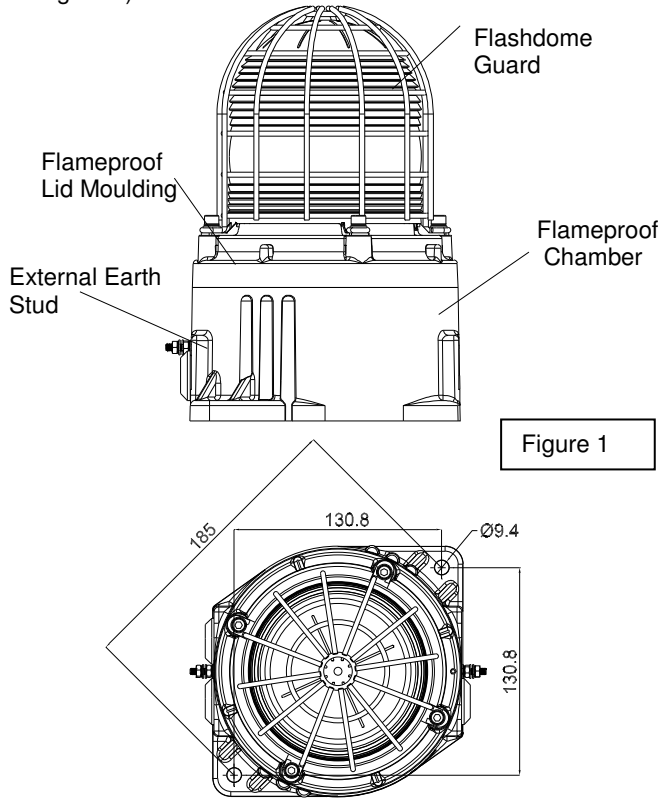


Figure 1

7) Access to the Flameproof Enclosure

In order to connect the electrical supply cables to the beacon it is necessary to remove the flameproof cover to gain access to the flameproof chamber. To access the Ex d chamber, loosen the M4 grub screw on the beacon cover. Open the enclosure by turning the beacon cover counterclockwise and remove the cover, taking extreme care not to damage the flameproof threads in the process (see figure 2).

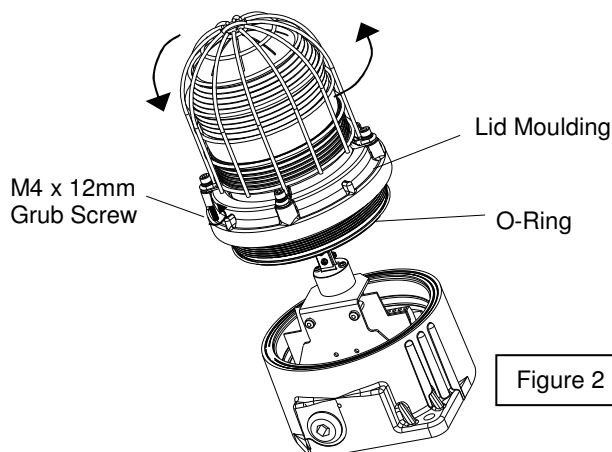


Figure 2

On completion of the installation the flameproof threaded joint should be inspected to ensure that they are clean and that they have not been damaged during installation. Flameproof threaded joints are not intended to be repaired. Also check that the 'O' ring seal is in place. When fitting the flameproof cover ensure the thread is engaged correctly. Fully tighten the cover all the way, ensure no gap is visible between the cover and base of the beacon enclosure. Tighten the M4 grub screw.

8) Power Supply Selection

It is important that a suitable power supply is used to run the beacons. The power supply selected must have the necessary capacity to provide the input current to all of the beacons

The following table shows the input current taken by the various beacons:

A supply voltage variation of +/-10% outside the voltage range is permissible.

Type No. GNExB2LD2	Flash Modes			Max Current	
	Nominal Voltage	Voltage Range	Nominal Current		
24Vdc	18-54Vdc	Steady High Power 240mA	Steady Low Power 134mA	Flashing 1Hz 110mA	Over voltage range 336mA
115Vac	103.5- 126.5Vac 50/60Hz	95mA	78mA	90mA	124mA
230Vac	207- 253Vac 50/60Hz	48mA	37mA	45mA	83mA

Nominal current at nominal voltage

Max rated current at worst case supply voltage and flash rate.

9) Cable Selection

When selecting the cable size, consideration must be given to the input current that each unit draws (see table above), the number of beacons on the line and the length of the cable runs. The cable size selected must have the necessary capacity to provide the input current to all of the beacons connected to the line.

SAFETY WARNING: The cable entry temperature may exceed +70°C or the cable branching point temperature may exceed 80°C at high ambient temperatures and therefore suitable heat resisting cables and cable glands must be used, rated as follows:

Ambient Temp.	45°C	50°C	55°C	60°C	65°C	70°C
Min. Rating of cables and cable glands	80°C	85°C	90°C	95°C	100°C	105°C

10) Earthing

Both AC and DC beacon units can be connected to an earth. The units are provided with internal and external earth terminals which are both located on the terminal chamber section of the unit (see figure 3).

Internal earthing connections on AC units should be made to the Internal Earth terminal on the PCBA. The earth conductor should be at least equal in size and rating to the incoming power conductors.

External earthing connections should be made to the M4 earth stud, using a ring crimp terminal to secure the earth conductor to the earth stud between the two M4 stainless steel flat washers, then reassemble the M4 spring washer and tighten the M4 nut to ensure that the cable lug is secured against loosening and twisting. The external earth conductor should be at least 4mm² in size.

11) Cable Glands

The cable gland entries have an M20 x 1.5 entry thread. Only suitably rated and ATEX / IECEx certified cable glands which must be suitable for the type of cable being used.

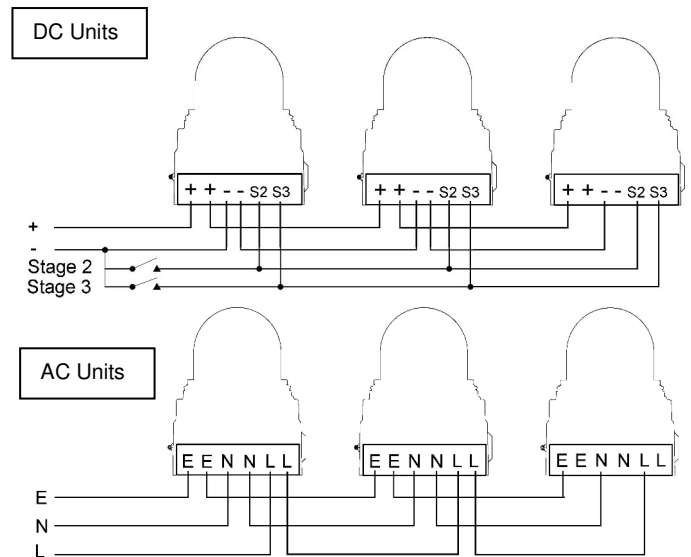
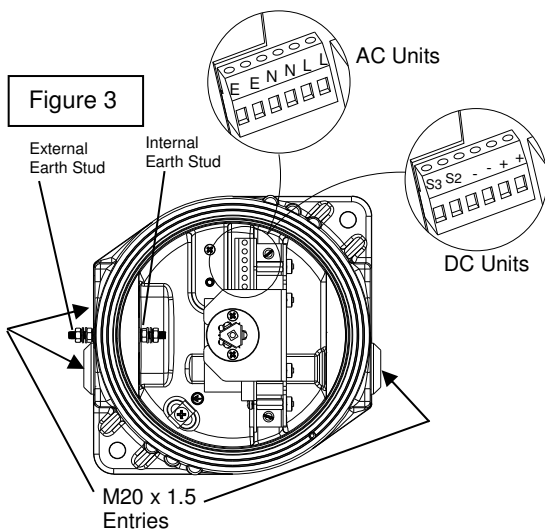
When only one cable entry is used the other entries must be closed with suitably rated and ATEX / IECEx certified blanking plugs.

If a high IP (Ingress Protection) rating is required then a suitable sealing washer must be fitted under the cable glands or blanking plugs. A minimum ingress protection rating of IP6X must be maintained for installations in explosive dust atmospheres.

For combustible dust applications, the cable entry device and blanking elements shall be in type of explosion protection and shall have an IP 6X rating.

12) Cable Connections

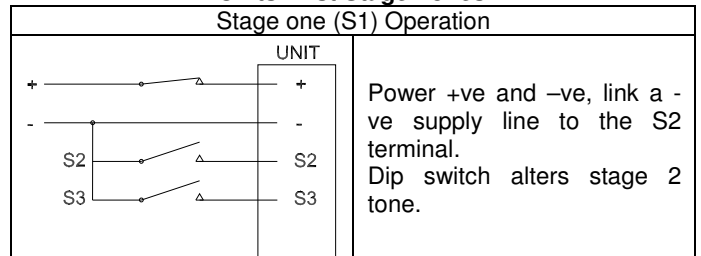
Electrical connections are to be made into the terminal blocks on the PCBA located in the flameproof enclosure. See section 7 of this manual for access to the flameproof enclosure. A 6-way terminal blocks is provided on the AC Beacon. There are 2-off Live, 2-off Neutral terminals and 2-off Earth terminals in total. A 6-way terminal blocks is provided on the DC Beacon. There are 2-off +ve, 2-off -ve terminals, 1-off S2 (Stage 2) and 1-off S3 (Stage 3).



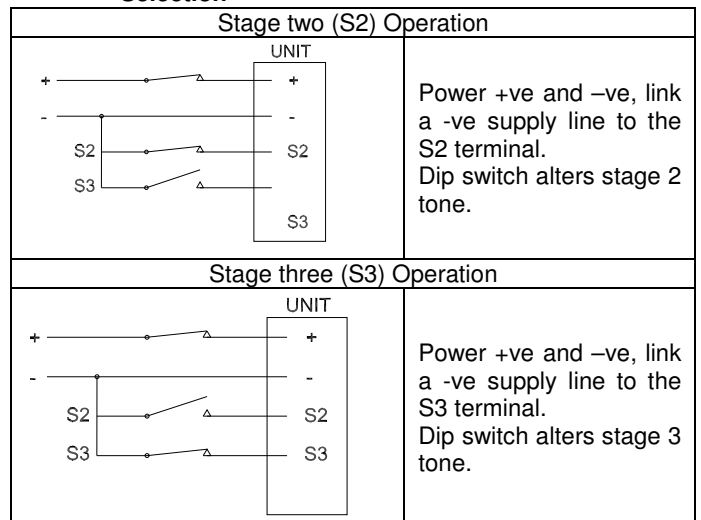
Wires having a cross sectional area of up to 2.5mm² can be connected to each terminal way. If an input and output wire is required the 2-off Live/Neutral or +/- terminals can be used. If fitting 2-off wires to one terminal way the sum of the 2-off wires must be a maximum cross sectional area of 2.5mm². Strip wires to 8mm. Terminal screws need to be tightened down with a tightening torque of 0.45 Nm / 5 Lb-in. When connecting wires to the terminals great care should be taken to dress the wires so that when the cover is inserted into the chamber the wires do not exert excess pressure on the terminal blocks. This is particularly important when using cables with large cross sectional areas such as 2.5mm².

12.2 Stage Switching (DC Units Only)

12.2.1 Units First Stage Tones



12.2.2 DC Units Second and Third Stage Tone Selection



13) Synchronised Operation

All GNExB2LD2 beacons that are connected to the same supply line will have a synchronised flash rate at one flash every second. To ensure that the units will be synchronised check that the DIP switch is set to 1 Hz (see Figure 4).

14) Flash Mode Settings (DC Only)

The GNExB2LD2 beacons can produce different flash patterns as shown in Table 1. The flash patterns are selected by operation of the flash setting DIP switch on the PCB, Fig 4.

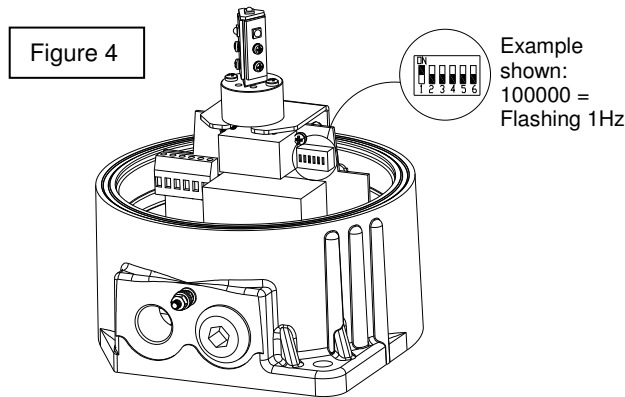


Table 1

Switch Setting (123456)	S1 Mode	S2 Mode	S3 Mode
000000	Steady High Power	Flashing 1Hz	Flashing Triple Strike
000001	Steady Low Power	Flashing 1Hz	Flashing Triple Strike
100000	Flashing 1Hz	Flashing Double Strike	Flashing Triple Strike
101000	Flashing 1.5Hz	Flashing 2Hz	Flashing Double Strike
010000	Flashing 2Hz	Flashing Triple Strike	Flashing Triple Strike
110000	Flashing Double Strike	Steady High Power	Flashing Triple Strike
001000	Flashing Triple Strike	Flashing 2Hz	Flashing Double Strike

15) End of Line Monitoring (DC Units)

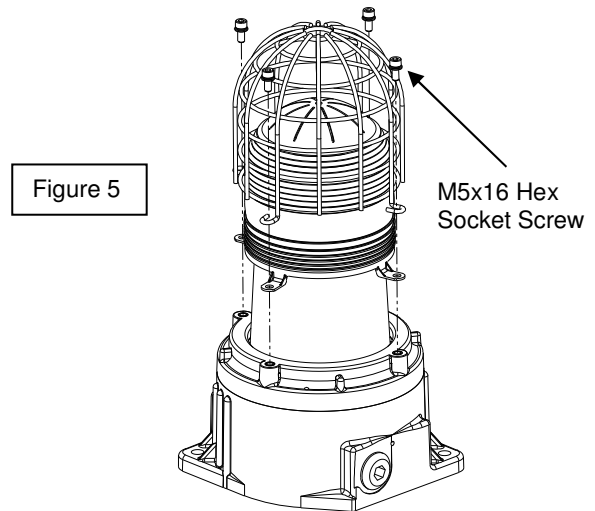
On the GNExB2LD2 DC beacons, dc reverse line monitoring can be used if required. All DC units have a blocking diode fitted in their supply input lines. An end of line monitoring diode or an end of line monitoring resistor can be connected across the +ve and -ve terminals in the flameproof chamber. If an end of line resistor is used it must have a minimum resistance value of 3k3 ohms and a minimum wattage of 0.5W or a minimum resistance value of 500 ohms and a minimum wattage of 2W.

16) Interchangeable & Spare Parts

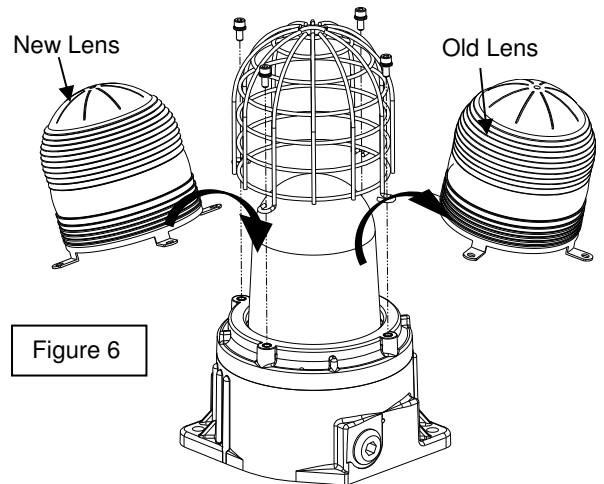
The beacon lenses are interchangeable, contact European Safety Systems Ltd for a replacement lens available in various colours.

The guard is an integral part of the protection and must be reassembled exactly the same way as it was disassembled. To change the lens, unscrew and remove the M5 socket head screws, M5 spring & flat washers.

Remove the guard.



Replace the old lens with the new lens.



Fit the guard back on to the lens and moulding, align the holes of the guard, lens and casting. To reattach the lens, the fixings MUST be in the order shown in figure 6.

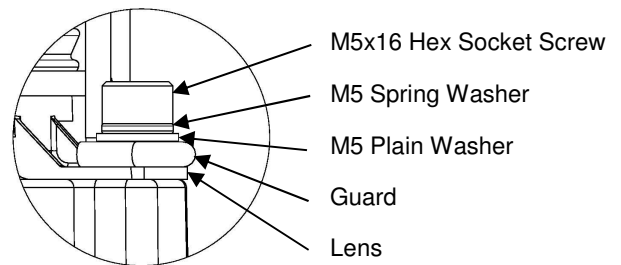


Fig 9. Lens & Guard fixings order

17) Maintenance, Overhaul and Repair

Maintenance, repair and overhaul of the equipment should only be carried out by suitably qualified personnel in accordance with the current relevant standards:

EN60079-19/IEC60079-19 Explosive atmospheres - Equipment repair, overhaul and reclamation

EN 60079-17/IEC60079-17 Explosive atmospheres - Electrical installations inspection and maintenance

Units must not be opened while an explosive atmosphere is present.

Electrostatic charging hazard - Clean only with a damp cloth.

18) Adapter Options

The GNEx Beacon Range can be supplied with the following types of adapters:

M20 to 1/2" NPT

M20 to 3/4" NPT

M20 to M25

It is important to note that stopping plugs cannot be fitted onto adapters, only directly onto the M20 entries.

If the installation is made using conduit, openings must have a sealing fitting connected as close as practical to the wall of the enclosure, but in no case more than the size of the conduit or 50mm, whichever is the lesser.

19) Special Conditions of safe use

The enclosure is non-conducting and may generate an ignition-capable level of electrostatic charges under certain extreme conditions. The user should ensure that the equipment is not installed in a location where it may be subjected to external conditions that might cause a build-up of electrostatic charges on non-conducting surfaces.

The stainless steel beacon guard is not earthed and may generate an ignition-capable level of electrostatic charges. It has a capacitance of 10pF according to EN/IEC60079-0, clause 7.5.

The flashdome guard must not be removed from the unit at any time whilst in service.